

**Expression, crystallization and preliminary X-ray crystallographic analysis of glucose-6-phosphate dehydrogenase from the human pathogen *Trypanosoma cruzi* in complex with substrate. Corrigendum**

Cecilia Ortíz,<sup>a</sup> Nicole Larrieux,<sup>b</sup> Andrea Medeiros,<sup>a,c</sup> Horacio Botti,<sup>b</sup> Marcelo Comini<sup>a\*</sup> and Alejandro Buschiazzo<sup>b,d\*</sup>

<sup>a</sup>Redox Biology of Trypanosomes Laboratory, Institut Pasteur de Montevideo, Mataojo 2020, 11400 Montevideo, Uruguay, <sup>b</sup>Unit of Protein Crystallography, Institut Pasteur de Montevideo, Mataojo 2020, 11400 Montevideo, Uruguay, <sup>c</sup>Biochemistry Department, Universidad de la República, Avenida General Flores 2125, 11800 Montevideo, Uruguay, and <sup>d</sup>Department of Structural Biology and Chemistry, Institut Pasteur, 25 Rue du Dr Roux, 75015 Paris, France

Correspondence e-mail: mcomini@pasteur.edu.uy, alebus@pasteur.edu.uy

A figure in the article by Ortíz *et al.* [(2011), *Acta Cryst.* F67, 1457–1461] is corrected.

In Fig. 1 of the article by Ortíz *et al.* (2011), the amino-acid sequence shown for *T. cruzi* G6PDH corresponds to isoform 2 (accession No. Q1WBU5) and not to the protein used in the study, namely isoform 1 (accession No. Q4E0B2). The correct sequence is shown here in Fig. 1 and the four residues that are different between the two protein sequences are highlighted with a black dot: E/Q, Y/H, H/Y and I/S for isoform 1/isoform 2. The N-terminal extension, absent in the truncated mutant Δ37N, is shown as an insertion fragment in the top of the panel. The N-terminal stretch incorporated as a fusion from the expression vector, is indicated in bold red. Identical residues with respect to the human enzyme (accession No. P11413) are shown on a black background, while conservative substitutions are highlighted with a grey background. The cofactor and substrate-binding sites are depicted with asterisks and crosses, respectively.

References

Ortíz, C., Larrieux, N., Medeiros, A., Botti, H., Comini, M. & Buschiazzo, A. (2011). *Acta Cryst.* F67, 1457–1461.

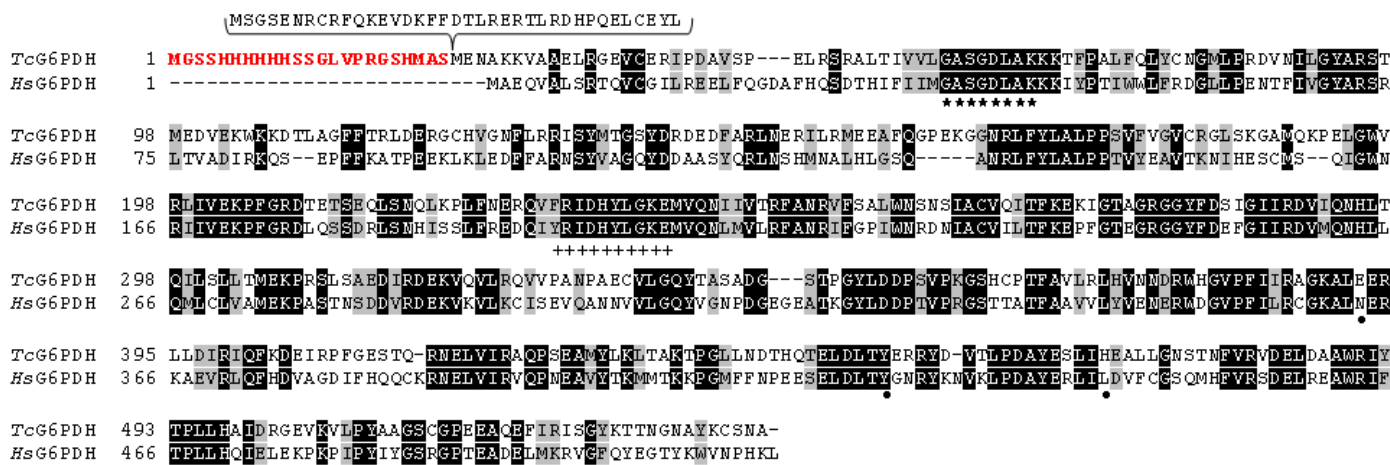


Figure 1  
Amino-acid sequence of the G6PDH from *T. cruzi* (accession No. Q4E0B2).